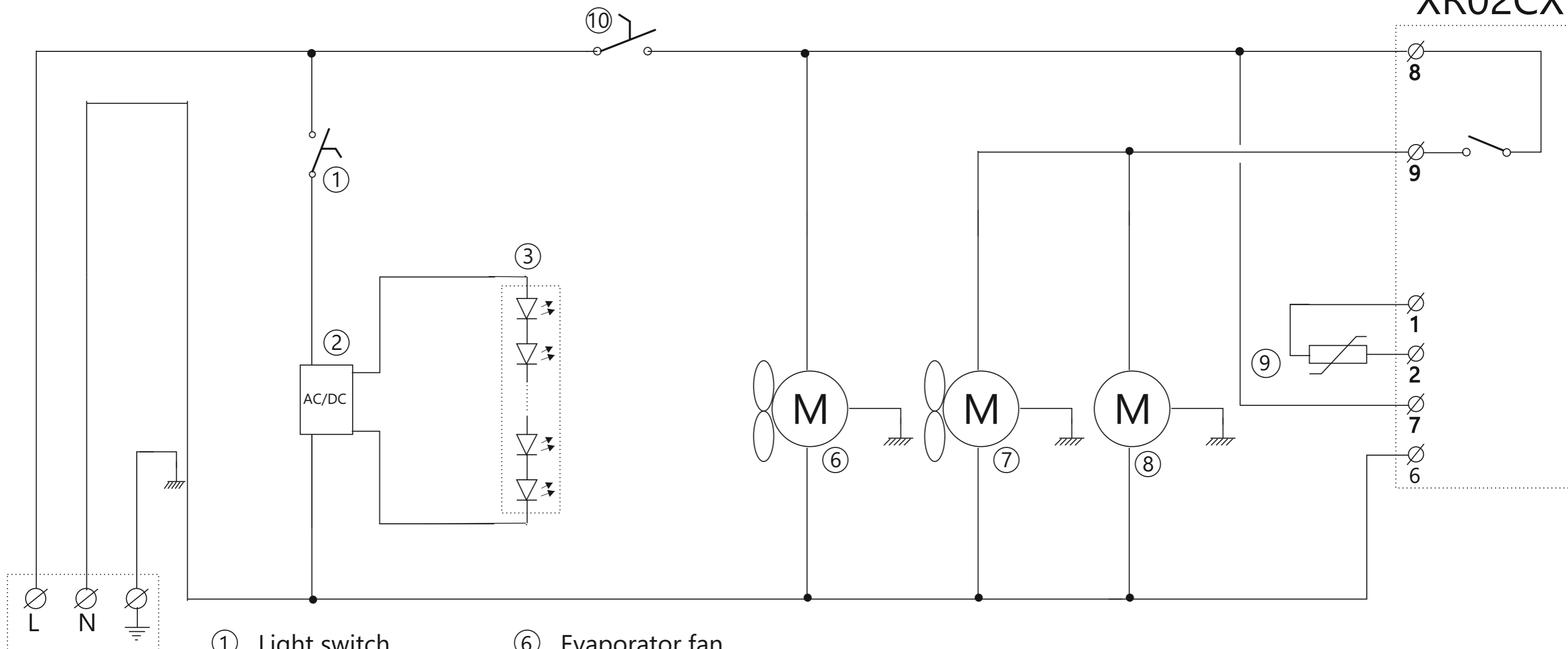



XR02CX



- ① Light switch
- ② LED power supply
- ③ LED strips
- ⑥ Evaporator fan
- ⑦ Condenser fan
- ⑧ Compressor
- ⑨ Cabinet probe
- ⑩ Main switch

|  |              |
|--|--------------|
| <b>TEFCOLD</b>  | Date: 180701 |
| Model: LCT-Series  | Rev. no.: 01 |
| Electrical diagram   | Rev. by: rfj |
| Drawing no.:   |              |