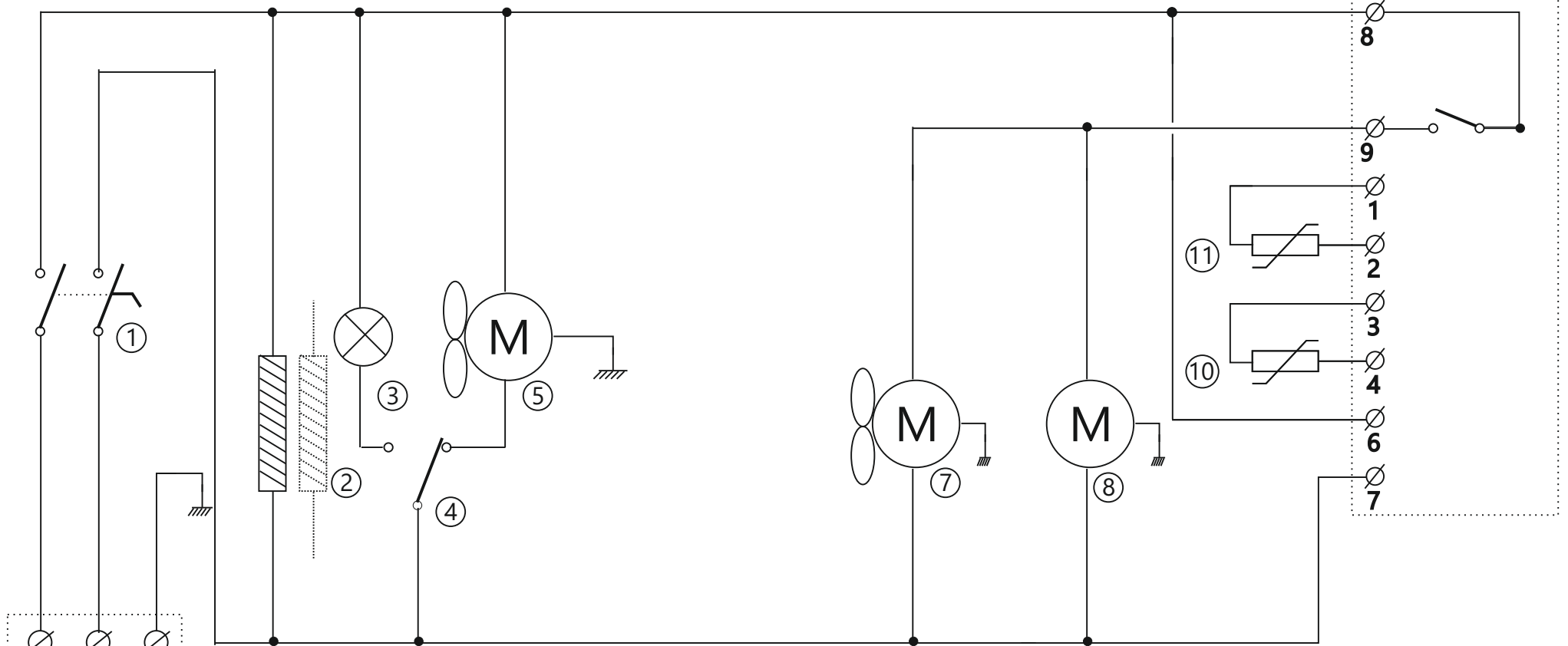


XR02CX



- ① Main switch
- ② Door frame heater (Replacement in cabinet)
- ③ Internal LED light
- ④ Door switch
- ⑤ Evaporator fan
- ⑦ Condenser fan
- ⑧ Compressor
- ⑩ Evaporator probe
- ⑪ Cabinet probe