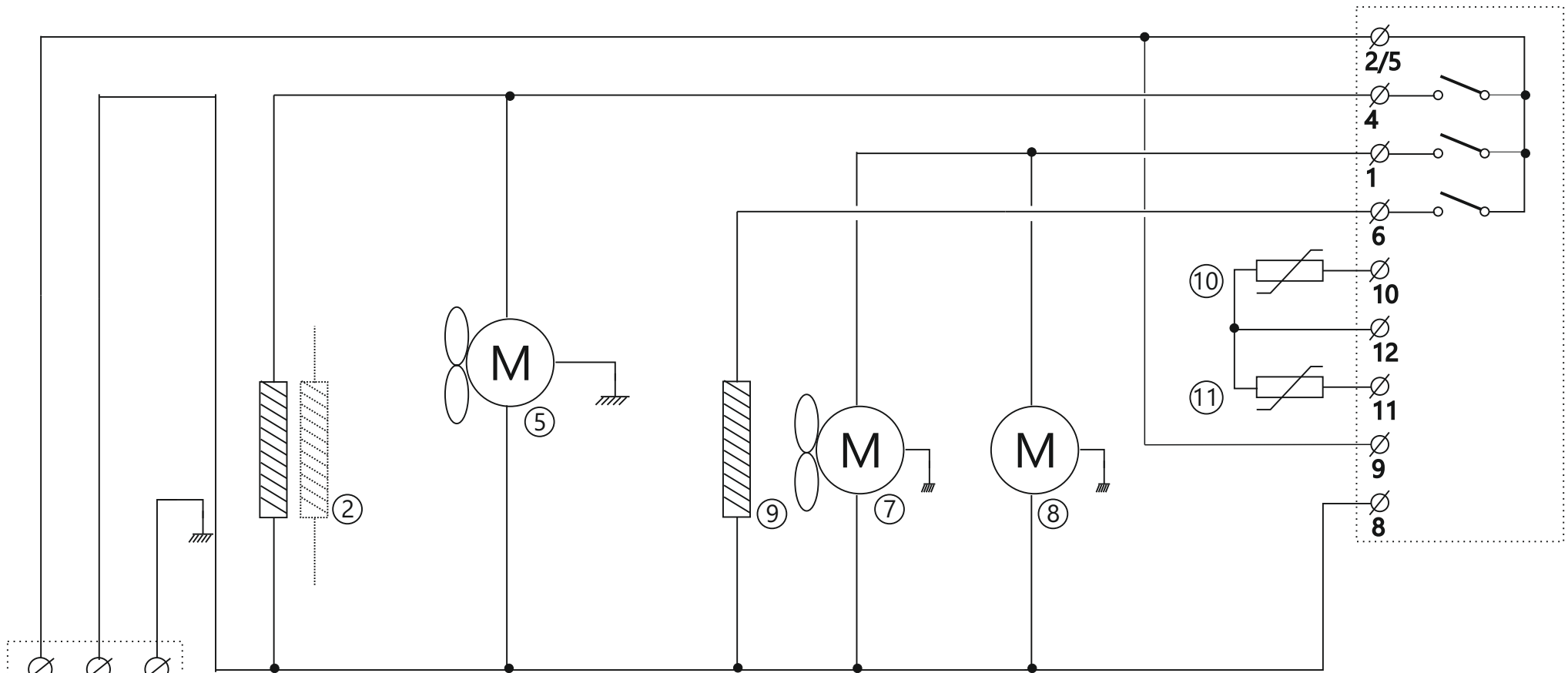


# XW60LRH



② Door frame heater (Replacement in cabinet)

⑤ Evaporator fan

⑦ Condenser fan

⑧ Compressor

⑨ Defrost heater

⑩ Evaporator probe

⑪ Cabinet probe