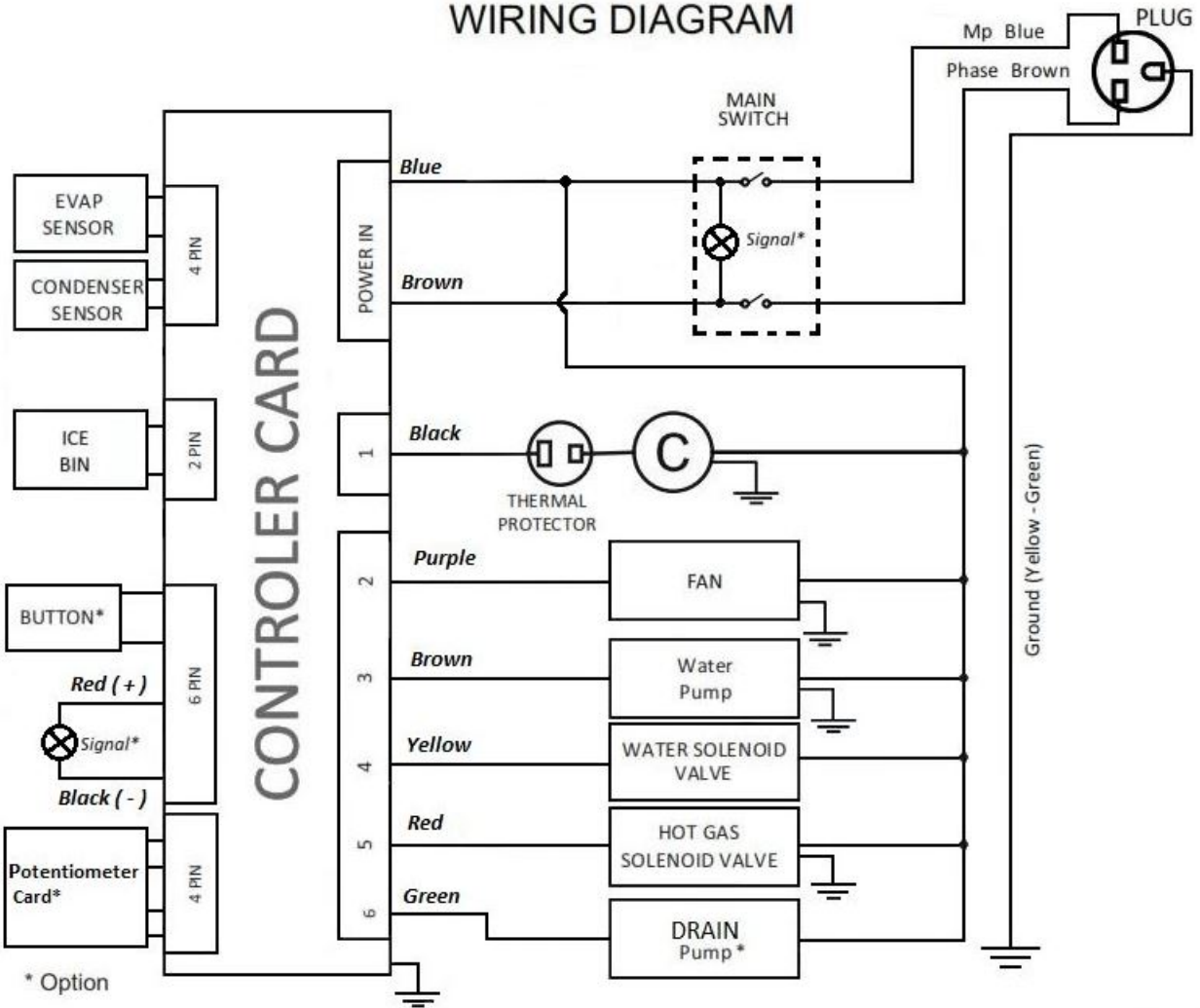


# WIRING DIAGRAM



**CONTROLLER CARD**

MAIN SWITCH

PLUG

Mp Blue

Phase Brown

Blue

POWER IN

Brown

1 Black

THERMAL PROTECTOR

2 Purple

FAN

3 Brown

Water Pump

4 Yellow

WATER SOLENOID VALVE

5 Red

HOT GAS SOLENOID VALVE

6 Green

DRAIN Pump\*

Ground (Yellow - Green)

EVAP SENSOR

CONDENSER SENSOR

ICE BIN

BUTTON\*

Red (+)

Signal\*

Black (-)

Potentiometer Card\*

\* Option